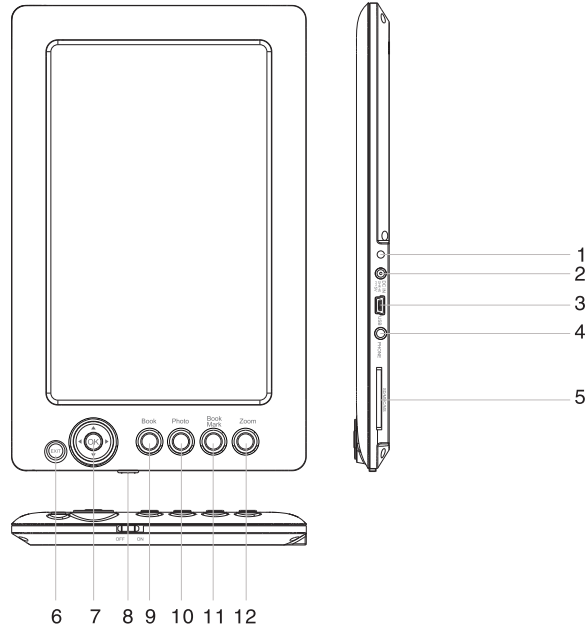


# QUICK START GUIDE

Model: CD706A

## Navigation Controls



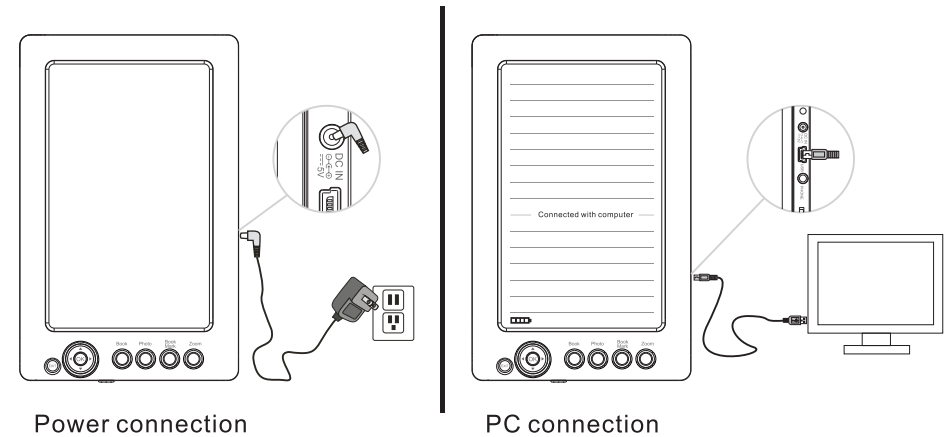
- 1 Indicator**  
Lights up in red while charging.
- 2 DC IN slot**  
Insert the DC power adaptor to the unit.
- 3 USB connector**  
Connect the unit to the PC.
- 4 PHONE**  
Insert for earphone use.
- 5 SD/MMC card slot**
- 6 EXIT**  
Return to the previous menu or item.
- 7 Navigation Button**
  - **OK:** Press to confirm and enter.
  - **▲ ▼** Press to move the cursor up and down, and when displaying the video or audio, press the buttons to adjust the volume.

- **◀ ▶** Press to move the cursor left and right, turn to the previous page and next page, when displaying the video and audio, press the buttons to skip to the next or previous item.
- 8 Power Switch**  
Press to the right to power on, and press to the left to power off.
  - 9 Book**  
Press the button to enter into the ebook list in the internal memory directly.
  - 10 Photo**  
Press the button to enter into the photo list in the internal memory directly.
  - 11 Book Mark**  
Press to add a new book mark while reading, or display the bookmark list.
  - 12 Zoom**  
Press to zoom in while reading.

1

## Getting Started

### 1. Charge the unit (as shown below)



To fully charge the unit, wait about 4 hours using the wall adaptor included in the package. It will need about 6 hours to full charge using USB cable.

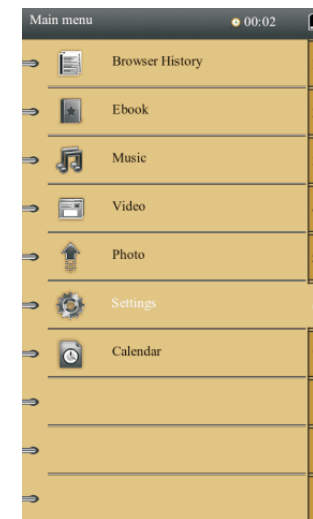
**Tips:** Suggest that charge the eReader in shutdown situation.

**Note:** The battery life determined by the number of repeated charge and discharge.

In the charging process, the unit has a certain degree of warming, is a normal phenomenon.

### 2. Power on the unit

Press the Power switch to ON to power on the unit. It will take a few seconds for Booting. Then it enters into the main menu.



2

## Reading eBooks

### 1. Book Menu

**Tip 1:** In the main menu, use the ▲/▼ buttons to select the Ebook menu and press OK, select the device and press OK again, you may find the folder or ebook list, select the favorite ebook and begin reading.

**Tip 2:** Press the shortcut button Book and read the ebooks in the internal memory directly.

### 2. Continue reading

In the main menu, use the ▲/▼ buttons to select the Continue Reading menu and press OK, you can continue reading the ebook which you just read last time.

3. To turn pages, press the ◀/▶ buttons.

4. To add a bookmark, just press the Book Mark button while reading; When reading an ebook, press OK to enter into the menu list, select a bookmark from the loadmark menu and press OK to continue reading.

5. Press “Zoom” to increase the font size.

6. To return to the previous menu, press the Exit button.

## Getting eBooks

1. To purchase or download ebooks on internet. Put the purchased or downloaded ebooks to the SD/MMC cards or to your computer.

2. Insert SD/MMC cards to the eReader if there are ebooks in the cards, and the eReader can read the ebooks in the cards directly.

3. If the ebooks are in the computer, use the USB cable to connect the eReader to the computer, copy and paste the ebooks to the storage of eReader. After the file transferring, please Safely Remove Hardware from the PC, and then directly unplug the USB connection, then find and read the ebooks in the storage of eReader.

4. The eReader can support the ebooks formarts as below: TXT, PDF, HTML, EPUB, FB2, TCR, RTF, BMK, OPF and support plain WORD format ebook text.

## Work as a Hi-Resolution Multi-media Player

Except the eReader function, the unit also can be used as a high resolution multi-media player with most convenient shortcut keys operation.



For Video / Audio / Photo playback, you can plug in your SD/MMC cards with the content you want to play, or enter into the storage of the unit to play the content stored in it.

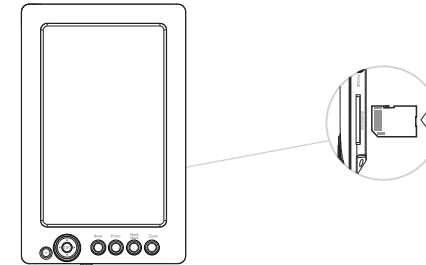
## Work as a Clock



## Loading files (movie/ music/ photo/ ebook)

1. Put the files to the SD/MMC cards or to your computer.

2. Insert the card to the unit if there are files in the card, and the unit can read the files in the card directly.



3. If the files are in the computer, use the USB cable to connect the unit to the computer, copy and paste the files to the storage of unit. After the file transferring, please Safely Remove Hardware from the PC, and then directly unplug the USB connection, then find and enjoy the files in the storage of unit.

## Support

If you encounter an issue, resolve the issue in the following order.

1. Refer to the User's Manual.

- Find the User's Manual under the Settings menu of the unit.
- Download the User's Manual from the support web site: [www.sungale.com](http://www.sungale.com) to your computer.

2. Visit the support site.

- For manual download and FAQs: [www.sungale.com](http://www.sungale.com)

3. Contact Sungale Support team

- Toll Free Call in the USA: 800-473-5156
- Service email: [info@sungale.com](mailto:info@sungale.com)