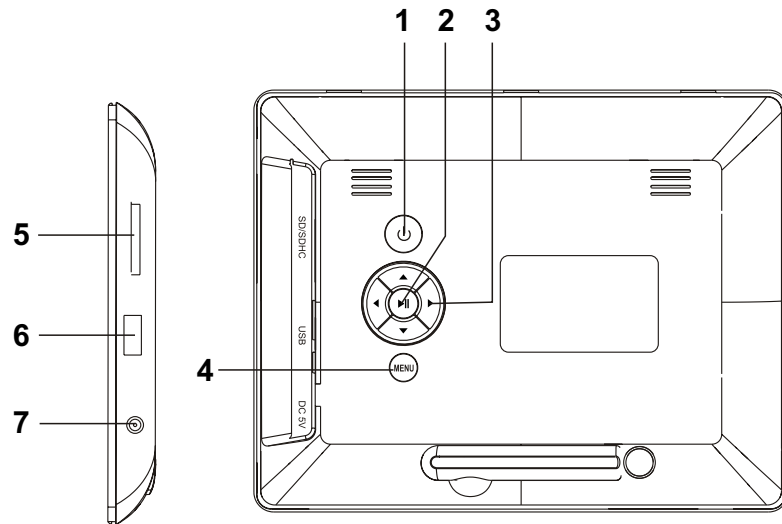


# QUICK START GUIDE

Model: PF803

Thank you for your purchasing of Sungale digital photo frame. This quick start guide will help you setup and start using the player as quickly as possible.

## Buttons and jacks



- 1. Power:** Press to turn on or turn off the DPF player.
- 2. Play / Pause:** Press to enter / confirm; Press to pause when slideshow pictures and press again to continue slideshow.
- 3. Navigation button**
  - Press ◀ to move left ( rotate a picture by left 90° when browser mode).
  - Press ▶ to move right ( rotate a picture by right 90° when browser mode).
  - Press ▲ to move the cursor to the previous icon or skip to the previous picture.
  - Press ▼ to move the cursor to the next icon or skip to the next picture.
- 4. Menu:** Back to last step.
- 5. SD/SDHC:** Insert one of the SD/SDHC cards each time.
- 6. USB:** Insert a USB flash stick.
- 7. 5V DC IN:** Insert the power adaptor cord to connect the unit with power outlet.

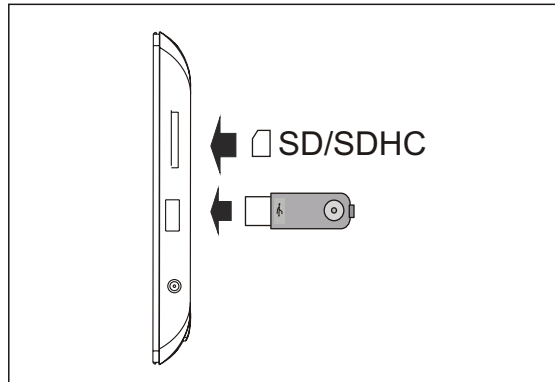
## Getting Started

Connecting your DPF with power by using the power adapter provided. The DPF will start up and go to main menu.



## Loading photos from memory card or USB

Insert one of the SD/SDHC card to your digital photo frame by following the direction showed as below:

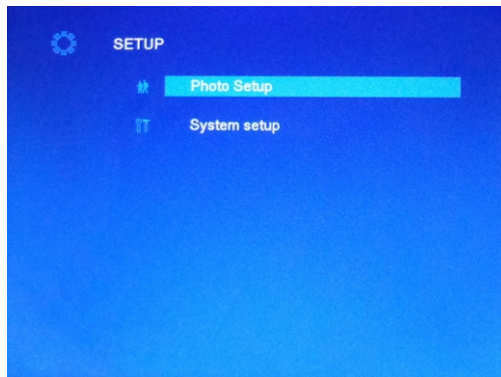


You can also insert a USB flash disk which has pictures to the USB slot to play pictures stored in the USB. The digital photo frame will auto slideshow pictures in your card or USB which has been inserted.

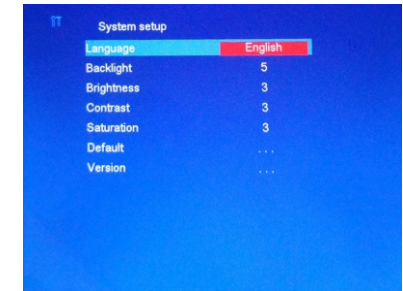
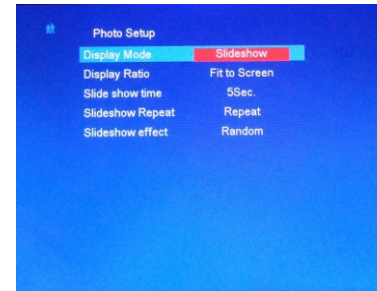
## Setting

Press **LEFT/RIGHT** (◀ / ▶) button to move cursor to Setting and press **Play/Pause** (⏸) to enter the setting interface.

There are 2 icons, they are Photo Setup and System Setup respectively.



You may press **Up** (▲) button or **Down** (▼) button to select one of the icons, and press **Play/Pause** (⏸) to enter the detailed setup options (press **MENU** to return), then press **Up/Down** (▲ / ▼) to choose what you want to set, and press **Left/Right** (◀ / ▶) to change the setting. Press **MENU** to after finish the setting.



## What you can setup

You can setup slideshow interval time, transition effect, show type in fit screen or full screen, browse in thumbnail mode or Browse Mode, play repeat mode, photo auto play or not, brightness and contrast, TFT saturation, OSD language and restore all of the settings to factory default setting by selecting Reset Default Setting.

## Support

### 1. Refer to the User's Manual.

- Go to [www.sungale.com](http://www.sungale.com) and click Support, then click Manual download. You will find user manual with related model number (PF803). Click "Manual Download -EN" to download the user manual.

### 2. Visit the support site.

- For manual download and FAQs: [www.sungale.com](http://www.sungale.com)

### 3. Contact Sungale Support team

- Toll Free Number in the USA: 800-473-5156
- Service email: [info@sungale.com](mailto:info@sungale.com)